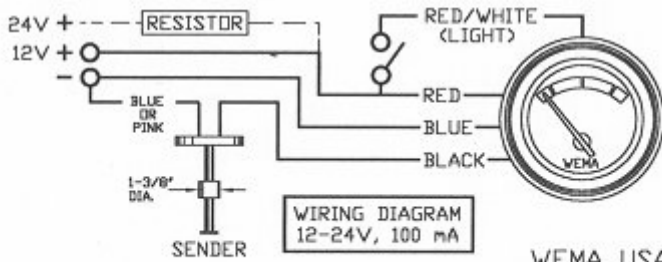
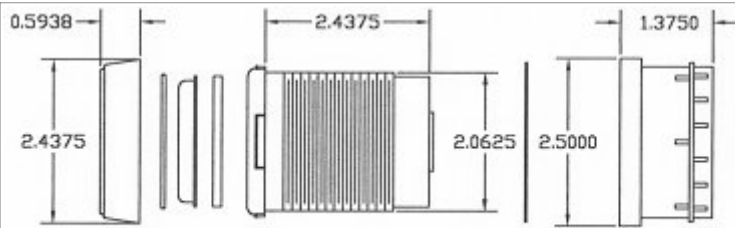


WEMA USA Inc.

Phone: 1-954-463-1075

FAX: 1-954-463-1270



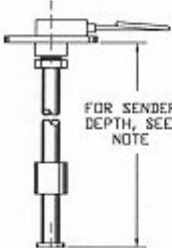
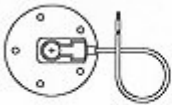
WIRING DIAGRAM
12-24V, 100 mA

WEMA USA, INC.
GAUGE MEASUREMENTS
AND WIRING DIAGRAM

E. MARKER

GAUGE MEASUREMENTS AND WIRING DIAGRAM

MODEL SUF SERIES



FOR SENDER
DEPTH, SEE
NOTE

PICTORIAL VIEW
FOR REF. ONLY

CAUTION: LEAKING FUEL IS A FIRE HAZARD. JEOPARDIZING THE TANK SEAL, WILL REQUIRE A TANK INTEGRITY CHECK PER YOUR TANK MANUFACTURER'S AND DOCUMENTED INDUSTRY STANDARDS.

WEMA USA INC. SENDING UNITS ARE BASED ON A SOLID AND RELIABLE DESIGN. MOUNTING IS VIA THE STANDARD FIVE (5) HOLE PATTERN. OUR FLOAT MOVEMENT IS VERTICAL (FLOAT ARM OBSTRUCTIONS ARE NOT A PROBLEM). OUR SENDERS ARE NOT ADJUSTABLE, THEY MUST BE ORDERED BY SIZE. UNITS IN THE RANGES OF 4" THRU 18", COME IN 1/2" GRADUATIONS. UNITS, IN THE 19" - 60" RANGE, COME IN 1" GRADUATIONS.

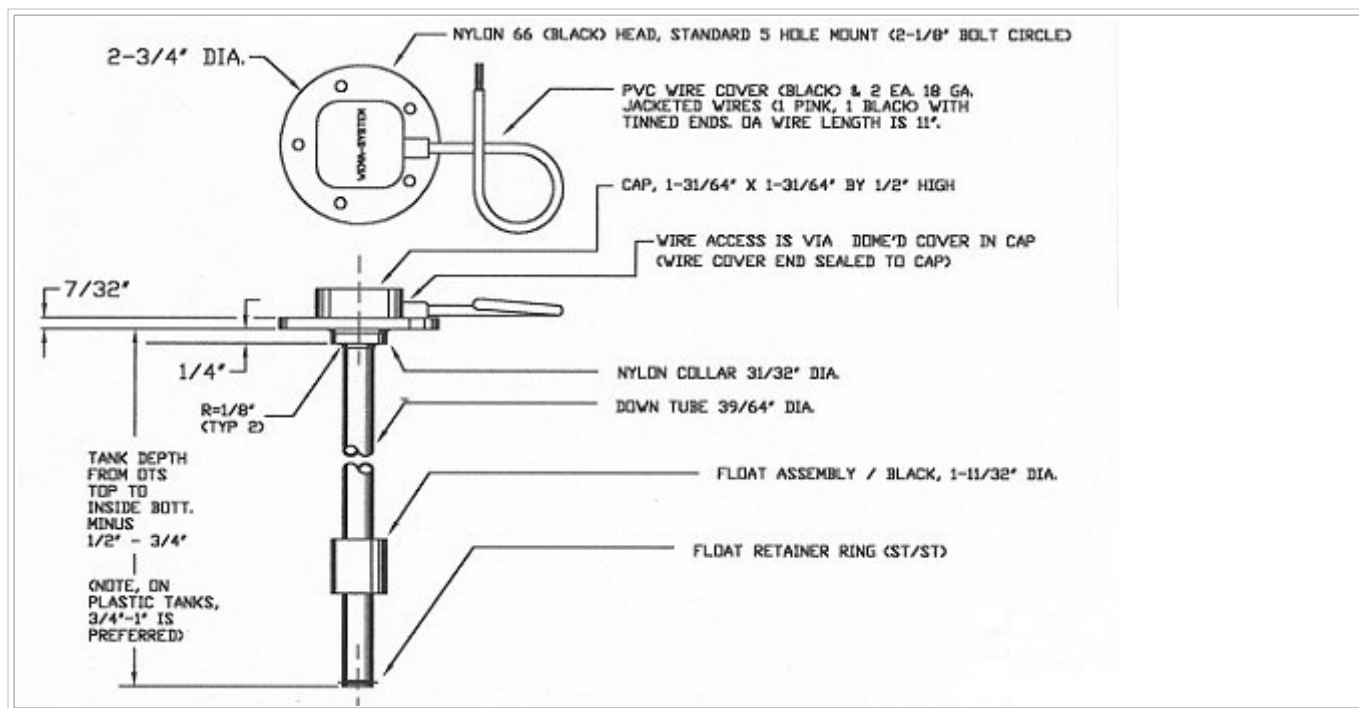
NOTE: MEASURE FOR THE SENDER SIZE NEEDED, BY ONE OF THE FOLLOWING METHODS:

(1) FROM THE OUTSIDE OF THE TANK SURFACE: MEASURE THE SENDER (CNTR./LINE) LOCATION FROM THE PORT OR STBD. TANK SIDE (PERPENDICULAR TO THE SIDE). MARK THAT DIM. ON THE NEAREST TANK END. FROM YOUR MARK, MEASURE THE TANK DEPTH (VERTICALLY, OUTSIDE TO OUTSIDE). DEDUCT 3/4" TO 1". THE RESULT IS YOUR SENDER DEPTH.

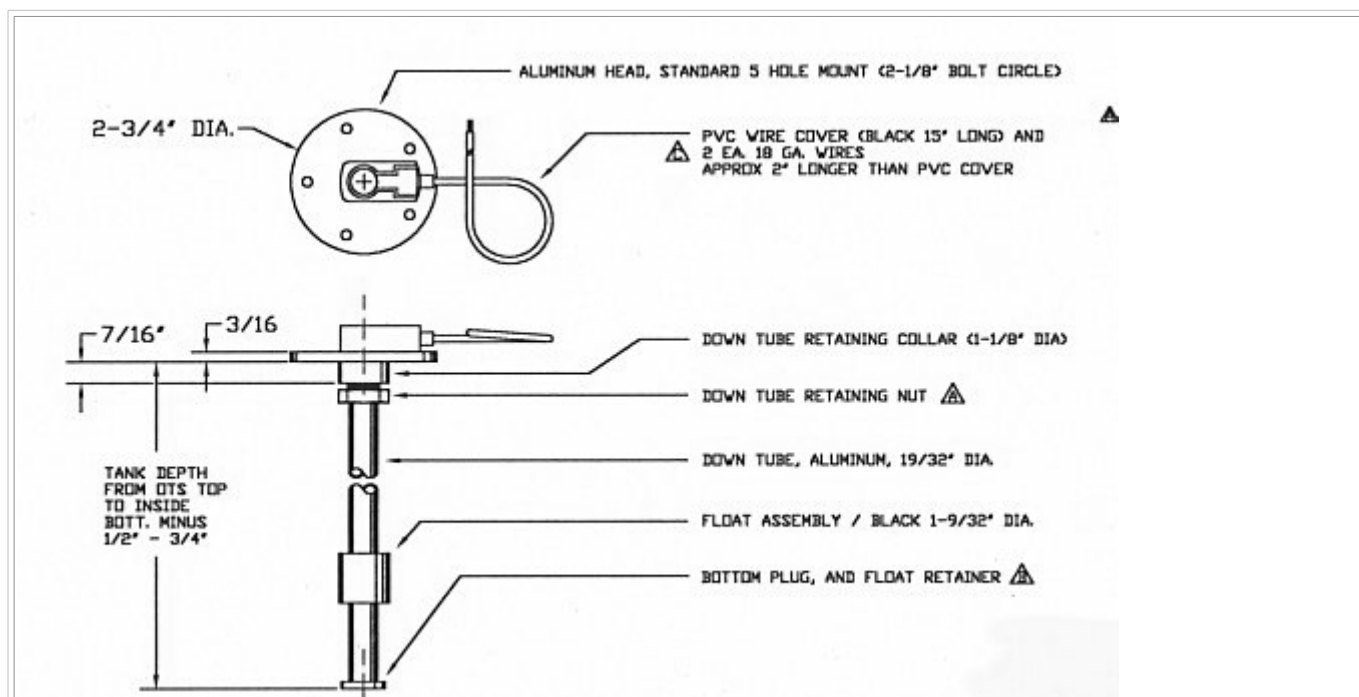
(2) WITH THE OLD SENDER REMOVED: MEASURE FROM THE OUTSIDE TOP, ON THE HOLE CENTER/LINE (DOWN-VERTICALLY), TO THE BOTTOM INSIDE. DEDUCT 1/2"-3/4". THE RESULT IS YOUR SENDER DEPTH.

WEMA USA, INCORPORATED
1100 S.W. 15th Ave., Ft. Lauderdale, FL 33304
AFTER MARKET SENDER SIZE
MEASUREMENT INSTRUCTIONS

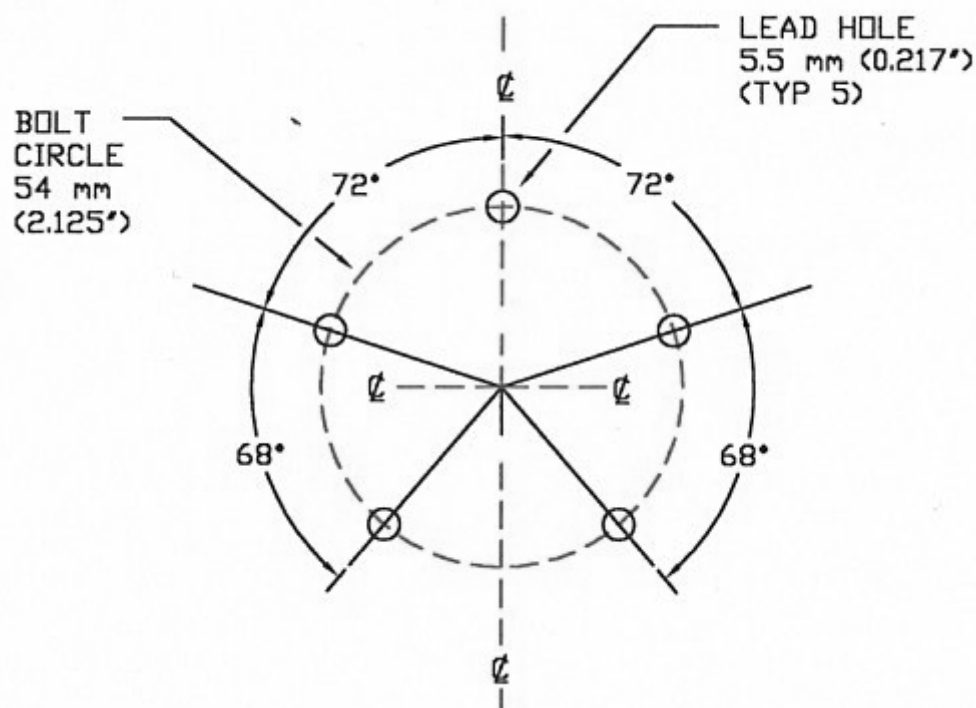
AFTERMARKET SENDER SIZE MEASUREMENT INSTRUCTION



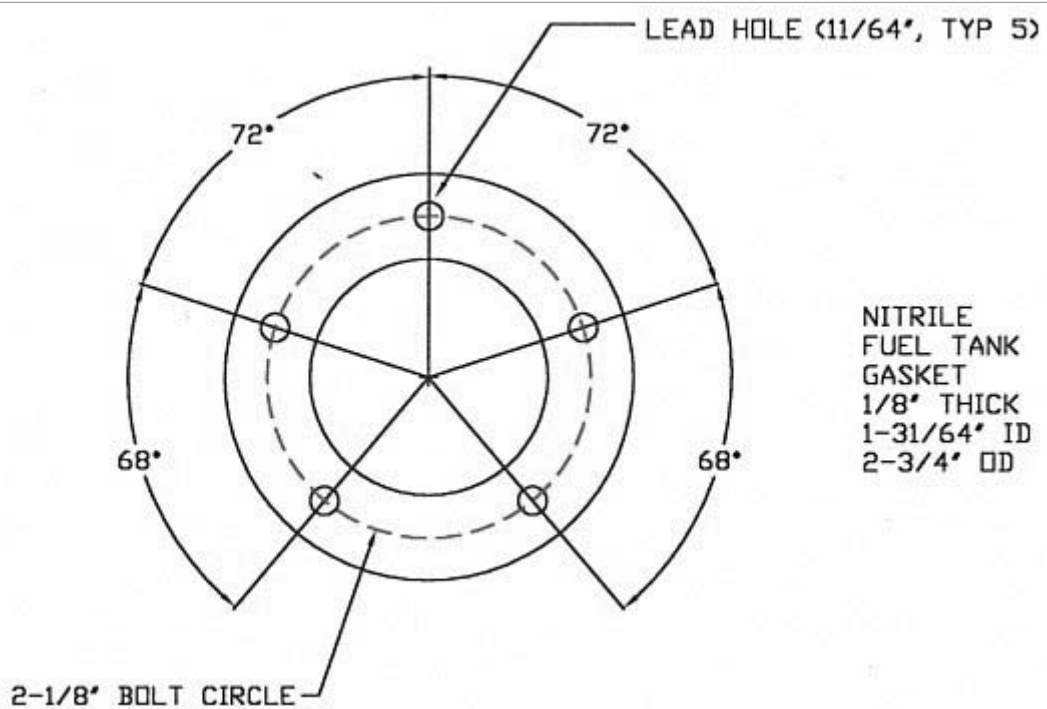
UFW/SERIES FUEL SENDING UNIT GENERAL RECOGNITION INFORMATION



SUF/SERIES FUEL SENDING UNIT-GENERAL RECOGNITION INFORMATION



SENDING UNIT BOLT PATTERN, AMERICAN STANDARD



STANDARD SENDING UNIT/GASKET HOLE PATTERN

UNDER CONSTRUCTION / MORE SPECIFICATIONS SHORTLY!



HOME

Technical Problems - Contact [\[WEBMASTER\]](#)
Copyright ©2001 [wemausa].